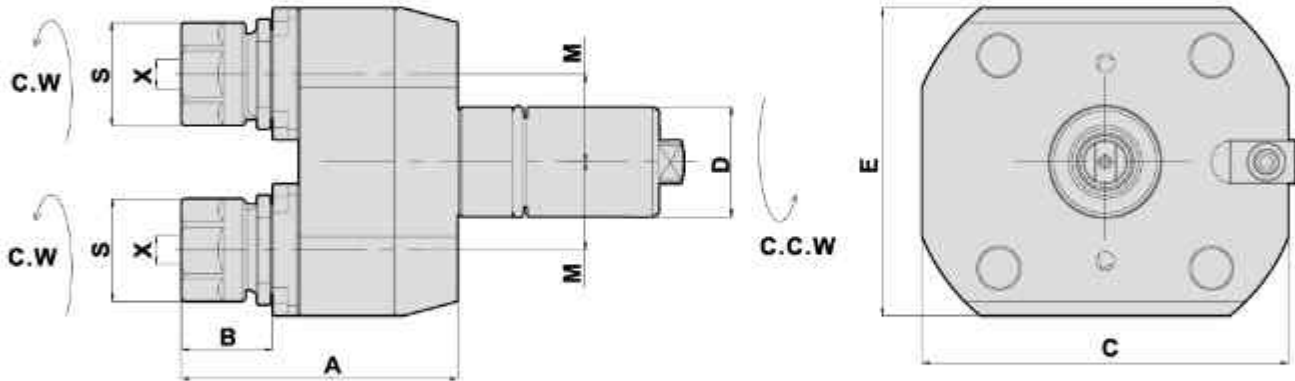


## AXIAL MILLING AND DRILLING HEAD DOUBLE COLLETS, Y OFFSET

TYPE TAKAMAZ

### 軸向鑽銑刀座-雙頭Y軸偏心 (0°)



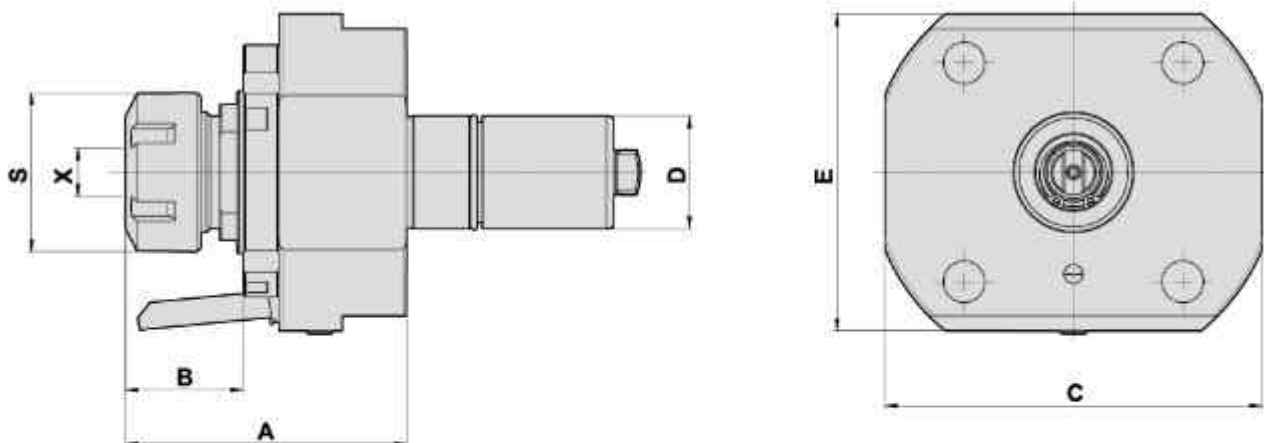
- To be used for collet DIN 6499
- External coolant supply
- Collet is not included

#### DIMENSIONS

Models	D	X Capacity	S	Maximum R.P.M.	A	B	C	E	M	Code No.	Order No.	(Kg) Weight
XY-120	30	1-10 ER16	30	6000	77.5	27	100	84	24	1301IB-000	TA-DA30-16DY	3.1

## AXIAL MILLING AND DRILLING HEAD

### 軸向鑽銑刀座 (0°)



- To be used for collet DIN 6499
- External coolant supply
- Collet is not included

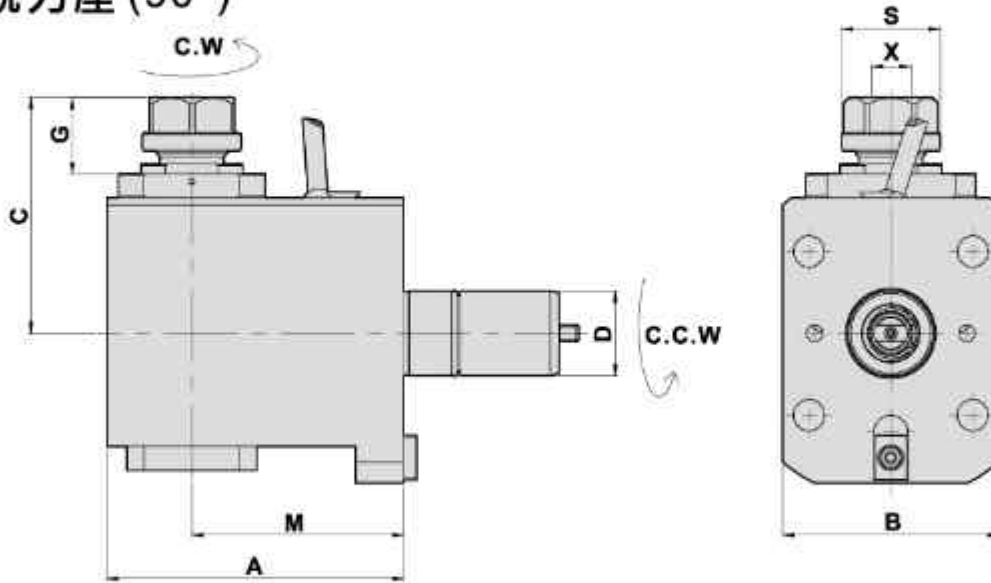
#### DIMENSIONS

Models	D	X Capacity	S	Maximum R.P.M.	A	B	C	E	Code No.	Order No.	(Kg) Weight
XY-120	30	1-13 ER20	35	6000	72	29	100	84	1301IA-000	TA-DA30-ER20	2.5
XY-120	30	1-16 ER25	42	6000	75	31	100	84	1301IC-000	TA-DA30-ER25	2.5

## RADIAL MILLING AND DRILLING HEAD

TYPE TAKAMAZ

### 徑向鑽銑刀座 (90°)



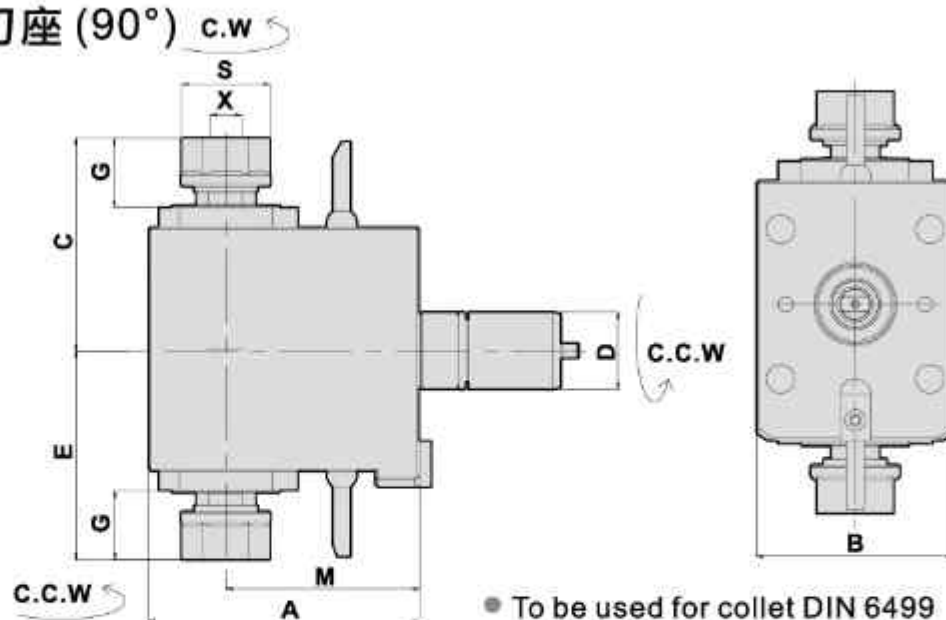
- To be used for collet DIN 6499
- External coolant supply
- Collet is not included

#### DIMENSIONS

Models	D	X Capacity	S	Maximum R.P.M.	A	B	C	G	M	Code No.	Order No.	(Kg) Weight
XY-120	30	1-13 ER20	35	5000	105	77	84	27	75	23011A-000	TA-DF30-20-75	5.1

## RADIAL MILLING AND DRILLING HEAD DOUBLE HEADS

### 徑向雙頭鑽銑刀座 (90°)



- To be used for collet DIN 6499
- External coolant supply
- Collet is not included

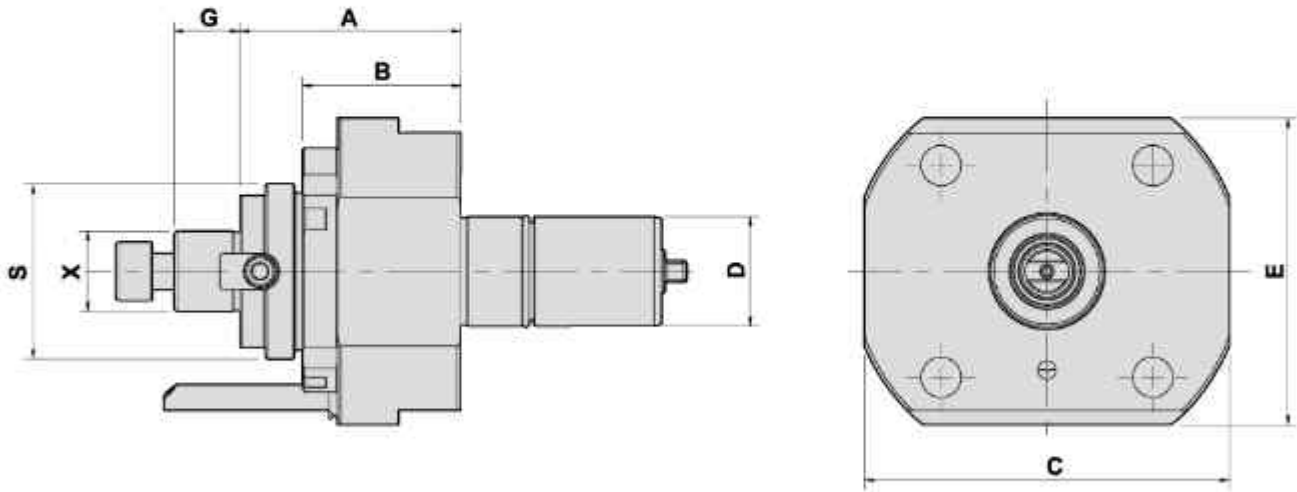
#### DIMENSIONS

Models	D	X Capacity	S	Maximum R.P.M.	A	B	C	E	G	M	Code No.	Order No.	(Kg) Weight
XY-120	30	1-13 ER20	35	5000	105	77	86	84	30	75	23011B-000	TA-DF30-20-75D	5.7

**AXIAL MILLING AND DRILLING HEAD**

TYPE TAKAMAZ

軸向鑽銑刀座 (0°)



- To be used for collet DIN 6499
- External coolant supply
- Collet is not included

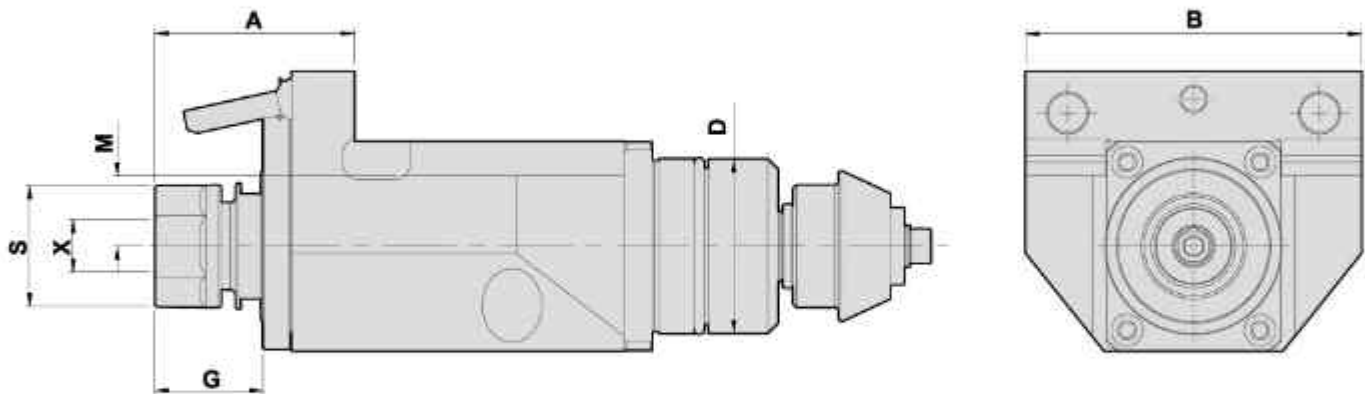
**DIMENSIONS**

Models	D	X	S	Maximum R.P.M.	A	B	C	E	G	Code No.	Order No.	(Kg) Weight
XY-120	30	22	48	6000	67	43	100	84	18	1301ID-000	TA-DA30-22C	2.7

## AXIAL DRILLING AND MILLING HEAD

TYPE TAKAMAZ

### 軸向鑽銑刀座 (0°)



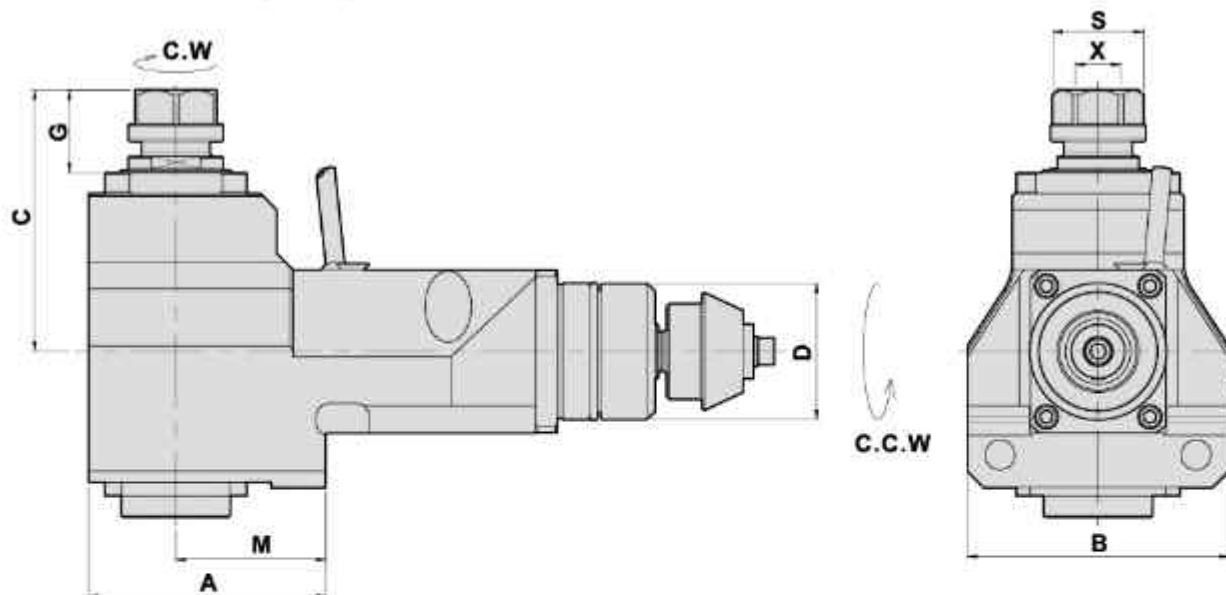
- To be used for collet DIN 6499
- External coolant supply
- Collet is not included

#### DIMENSIONS

Models	D	X Capacity	S	Maximum R.P.M.	A	B	G	M	Code No.	Order No.	(Kg) Weight
XY-180	50	1-13 ER20	35	6000	58	96	32	20	1508IA-000	TA-DA50-ER20	4.5

## RADIAL MILLING AND DRILLING HEAD

### 徑向鑽銑刀座 (90°)



- To be used for collet DIN 6499
- External coolant supply
- Collet is not included

#### DIMENSIONS

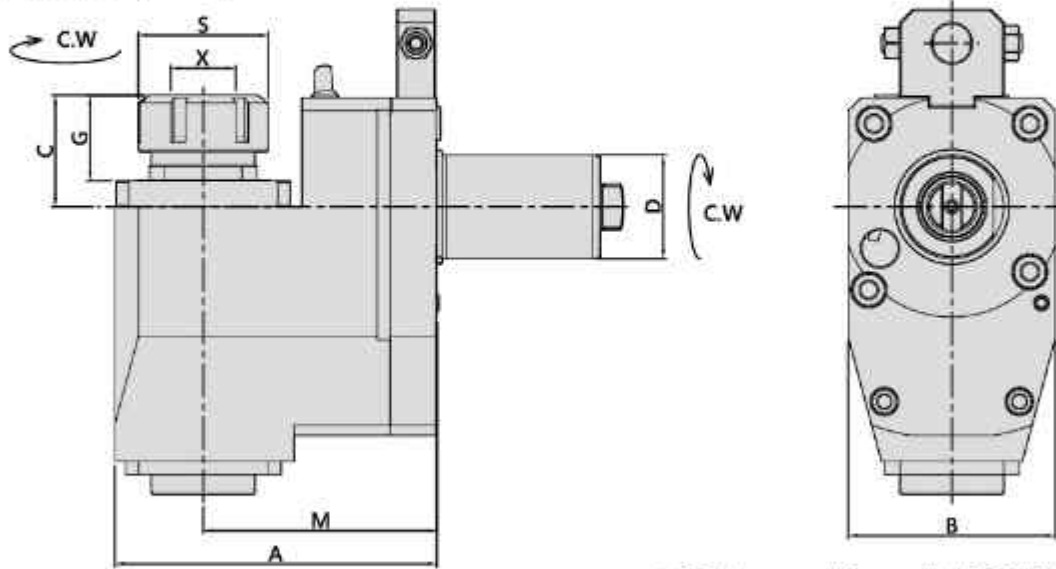
Models	D	X Capacity	S	Maximum R.P.M.	A	B	C	G	M	Code No.	Order No.	(Kg) Weight
XY-180	50	1-13 ER20	35	5000	87	96	96	30	55	2508IA-000	TA-DF50-20-55	8.6



### RADIAL MILLING AND DRILLING HEAD OFFSET

TYPE TAKAMAZ

#### 徑向鑽銑刀座 (90°)



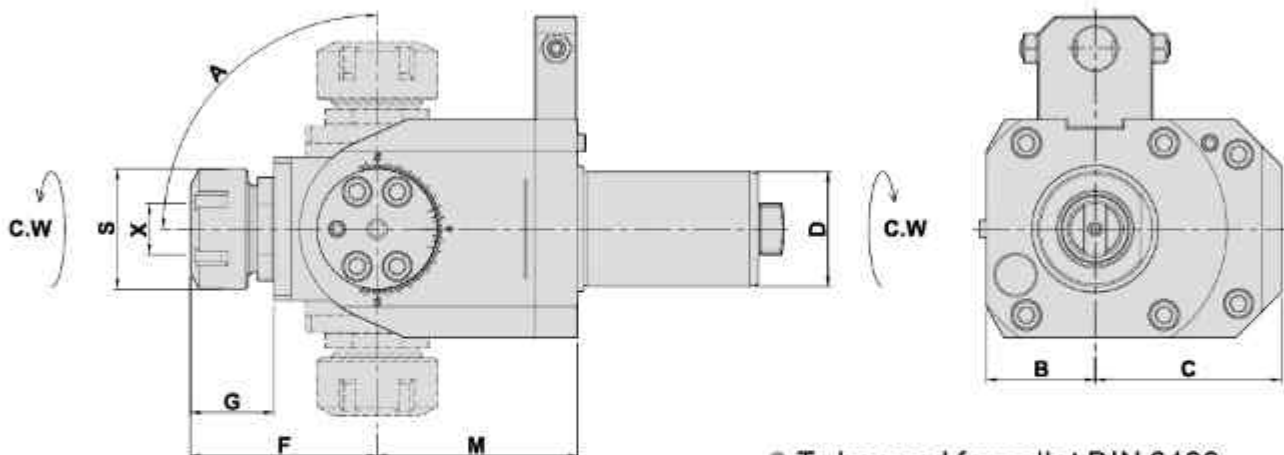
- To be used for collet DIN 6499
- External coolant supply
- Collet is not included

#### DIMENSIONS

Models	D	X Capacity	S	Maximum R.P.M.	A	B	C	G	M	Code No.	Order No.	(Kg) Weight
XY-2000	40	2-20 ER32	50	5000	124	80	45	35	90	2401IA-000	BR40-TZ-1809-32-90	8.5
XY-2000	40	1-16 ER25	42	5000	124	80	43	33	90	2401IC-000	BR40-TZ-1809-25-90	8.5

### ANGULAR HEAD

#### 萬向鑽銑刀座



- To be used for collet DIN 6499
- External coolant supply
- Collet is not included

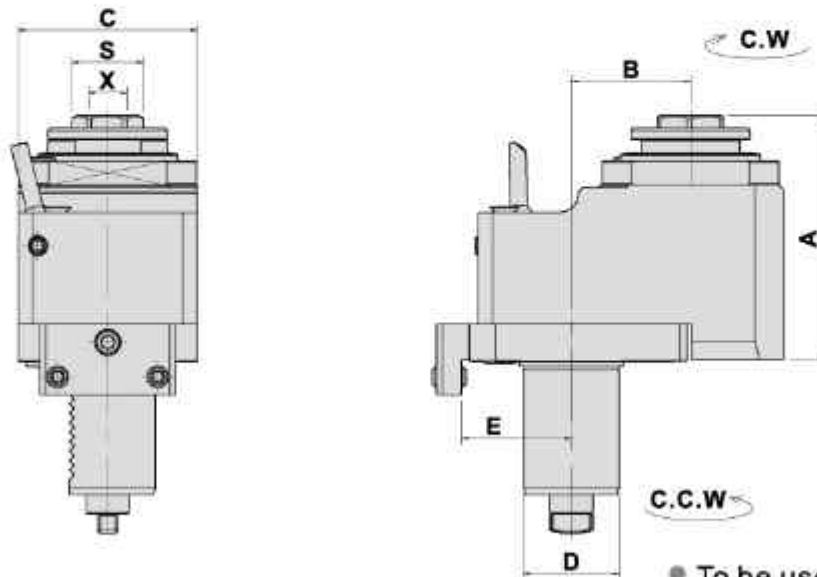
#### DIMENSIONS

Models	D	X Capacity	S	Maximum R.P.M.	A	B	C	F	G	M	Code No.	Order No.	(Kg) Weight
XY-2000	40	1-16 ER25	42	5000	±90°	38	65	65	29	70	1401IA-000	DA40-TZ-1809-25B	5.3

## AXIAL DRILLING AND MILLING HEAD OFFSET

TYPE TAKAMAZ

### 軸向偏心鑽銑刀座 (0°)



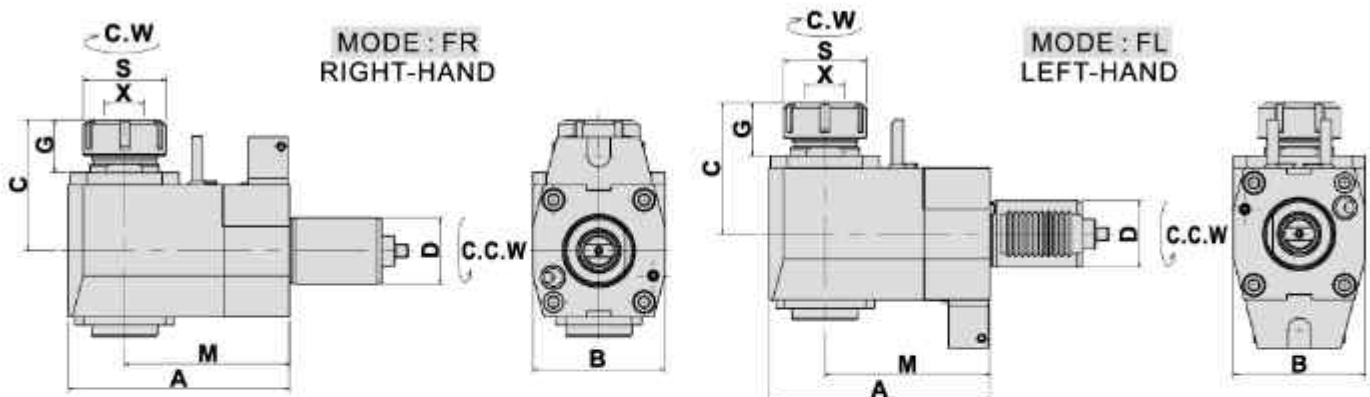
- To be used for collet DIN 6499
- External coolant supply
- Collet is not included

#### DIMENSIONS

Models	D	X Capacity	S	Maximum R.P.M.	A	B	C	E	Code No.	Order No.	(Kg) Weight
XY-2000	40	1-16 ER25	30	6000	102	50	75	46	1401IB-000	DA40-TZ-1809-25A-50	5.9

## RADIAL MILLING AND DRILLING HEAD

### 徑向鑽銑刀座 (90°)



- To be used for collet DIN 6499
- External coolant supply
- Collet is not included

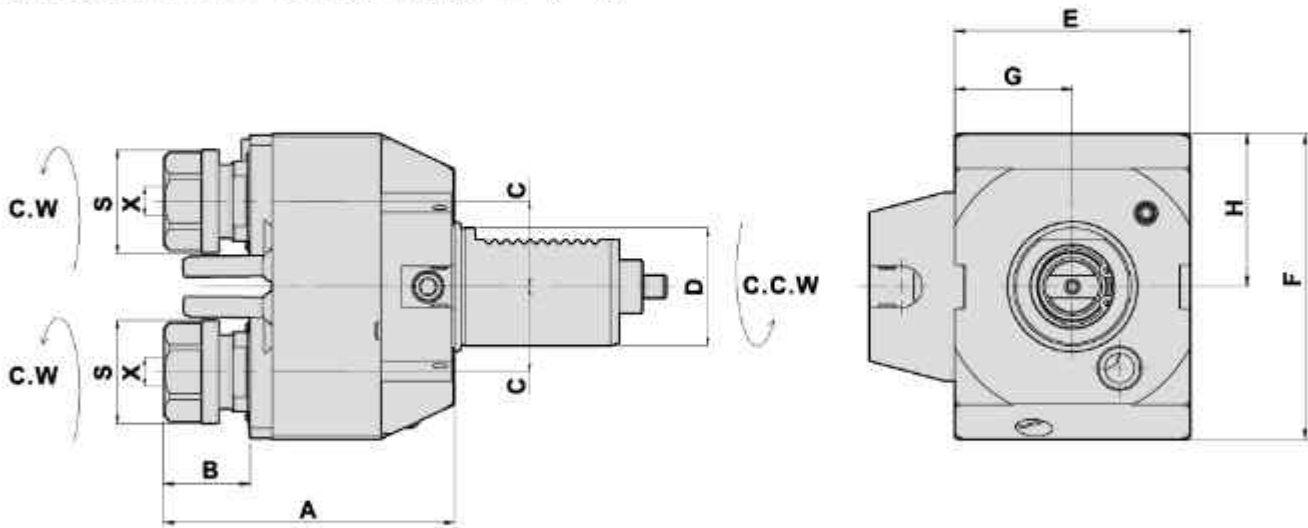
#### DIMENSIONS

Models	D	X Capacity	S	Maximum R.P.M.	A	B	C	G	M	Code No.	Order No.	(Kg) Weight
XY-2000	40	2-20 ER32	50	5000	134	80	79.5	32	100	2401ID-000	FR40-TZ-1809-32-100	7
XY-2000	40	2-20 ER32	50	5000	134	80	79.5	32	100	2401IB-000	FL40-TZ-1809-32-100	7

## AXIAL DRILLING AND MILLING HEAD DOUBLE COLLETS, Y OFFSET

TYPE TAKAMAZ

### 軸向鑽銑刀座-雙頭Y軸偏心 (0°)



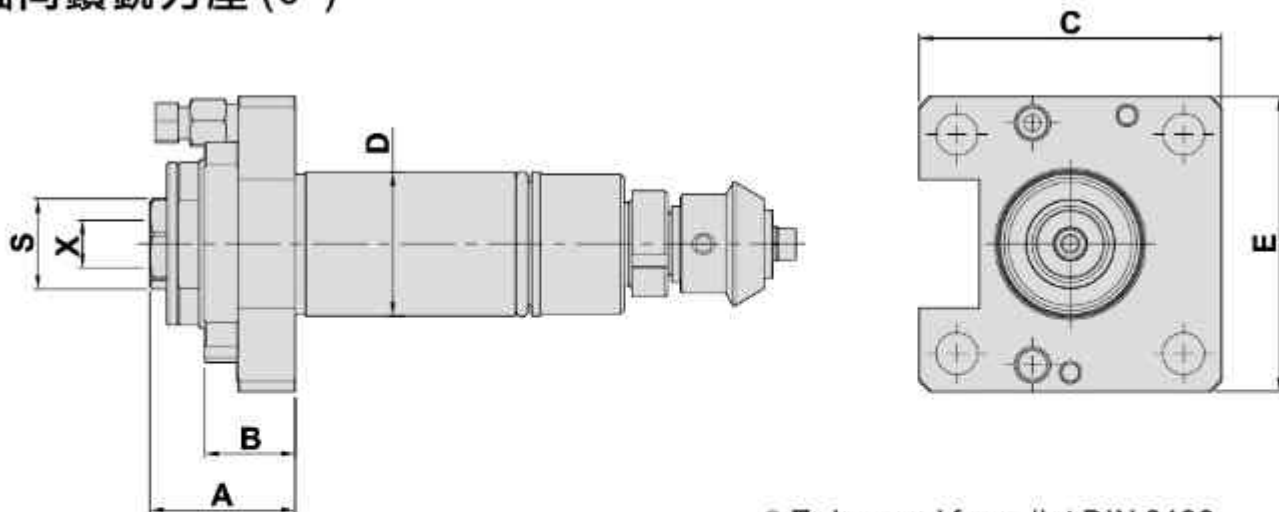
- To be used for collet DIN 6499
- External coolant supply
- Collet is not included

#### DIMENSIONS

Models	D	X Capacity	S	Maximum R.P.M.	A	B	C	E	F	G	H	Code No.	Order No.	(Kg) Weight
XY-2000	40	1-13 ER20	35	6000	98.5	29	29	80	104	40	52	14011C-000	DA40-TZ-1809-20DY	4.7

## AXIAL DRILLING AND MILLING HEAD

### 軸向鑽銑刀座 (0°)



- To be used for collet DIN 6499
- External coolant supply
- Collet is not included

#### DIMENSIONS

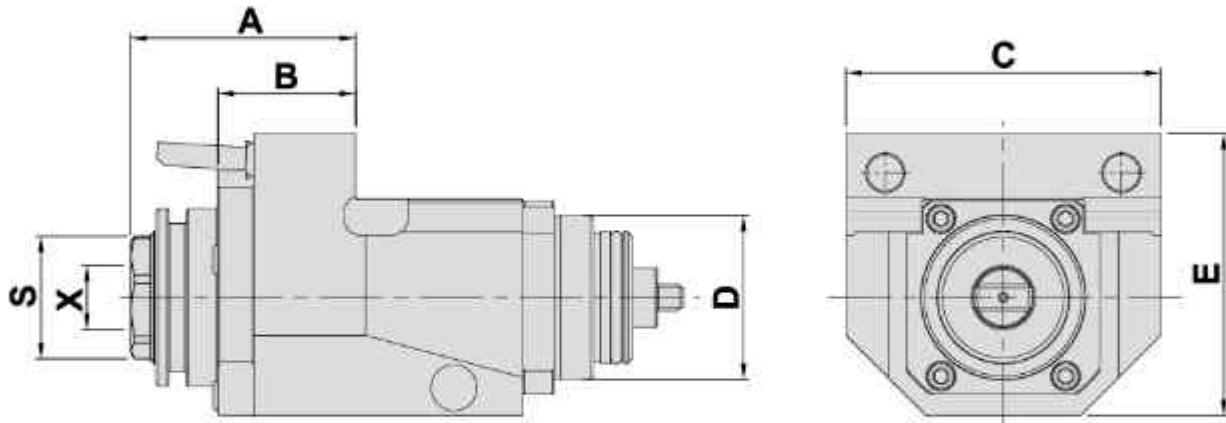
Models	D	X Capacity	S	Maximum R.P.M.	A	B	C	E	Code No.	Order No.	(Kg) Weight
XL-100	38	1-13 ER20A	26	6000	38.5	24	80	78	13881B-000	TA-XL-DA38-ER20A	1.8



## AXIAL DRILLING AND MILLING HEAD

TYPE TAKAMAZ

### 軸向鑽銑刀座 (0°)



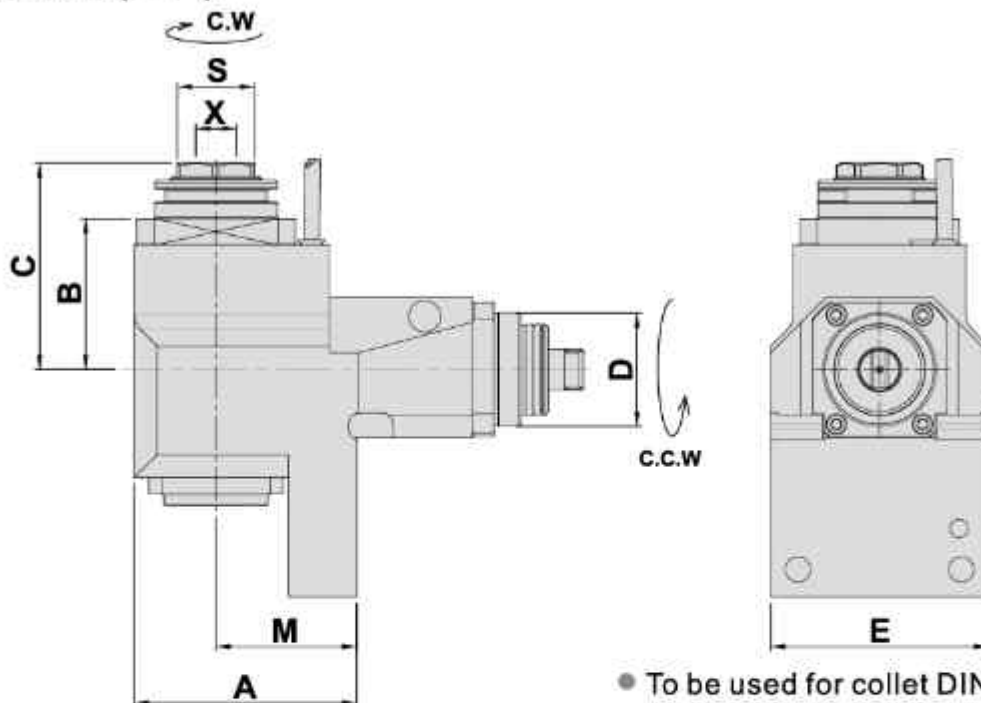
- To be used for collet DIN 6499
- External coolant supply
- Collet is not included

#### DIMENSIONS

Models	D	X Capacity	S	Maximum R.P.M.	A	B	C	E	Code No.	Order No.	(Kg) Weight
XL-150	50	2-20 ER32A	38	6000	68.5	42	96	86	15011A-000	XL-150-DA50-ER32A	4.7

## RADIAL MILLING AND DRILLING HEAD

### 徑向鑽銑刀座 (90°)



- To be used for collet DIN 6499
- External coolant supply
- Collet is not included

#### DIMENSIONS

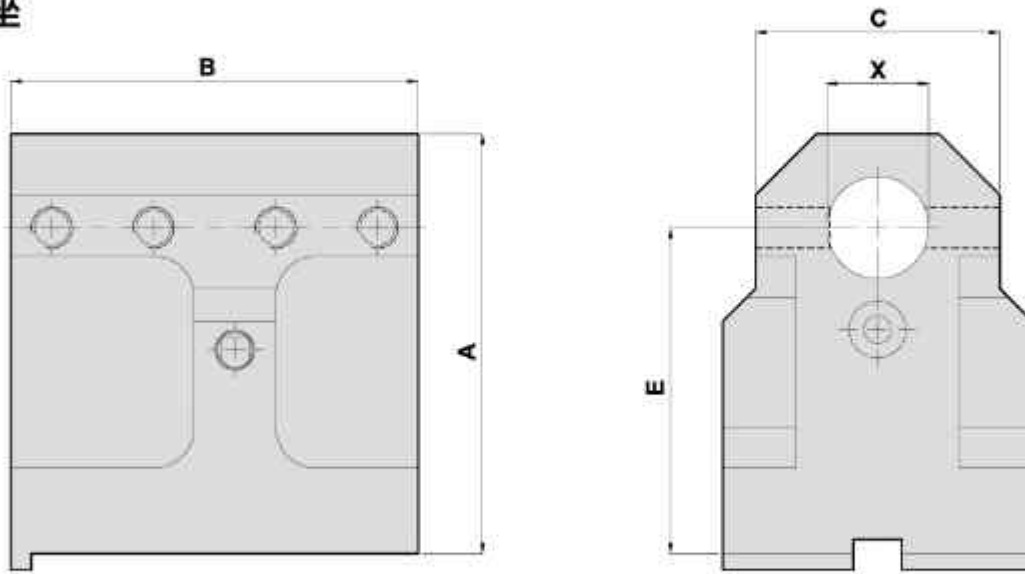
Models	D	X Capacity	S	Maximum R.P.M.	A	B	C	E	M	Code No.	Order No.	(Kg) Weight
XL-150	50	2-20 ER32A	38	5000	98	67	91	96	62	2501JA-000	XL-150-DF50-ER32A-62	9.5



## BORING BAR HOLDER

TYPE TAKAMAZ

### 内孔刀座

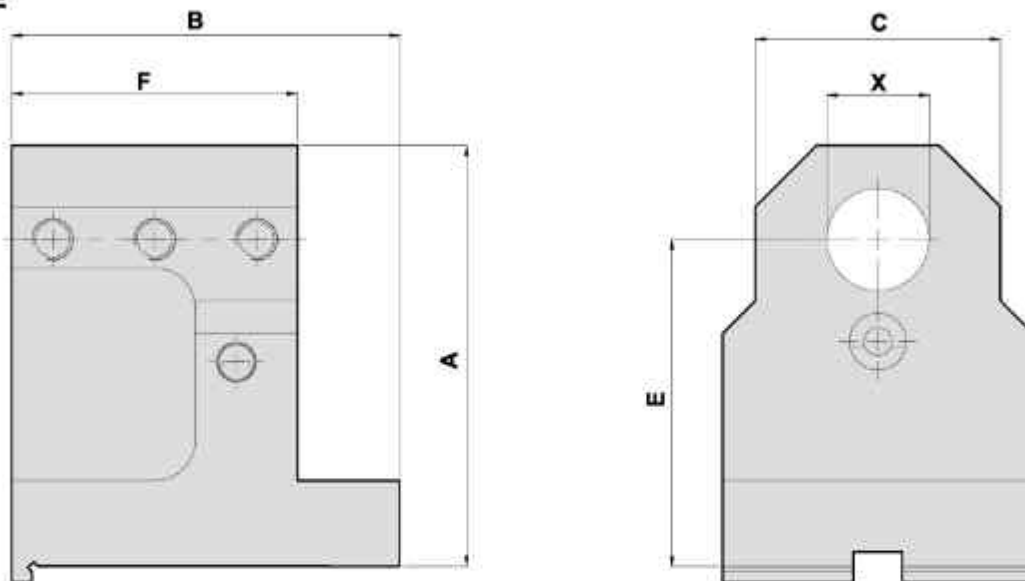


#### DIMENSIONS

● External coolant supply 外部出水

Models	X	A	B	C	E	Code No.	Order No.	(Kg) Weight
XY-120	1"(inch)	103	100	60	80	3F1061-000	TA-XY120-DB25.4	3.9
XY-120	25(mm)	103	100	60	80	306061-000	TA-XY120-DB25	3.9

## BORING BAR HOLDER 内孔刀座



#### DIMENSIONS

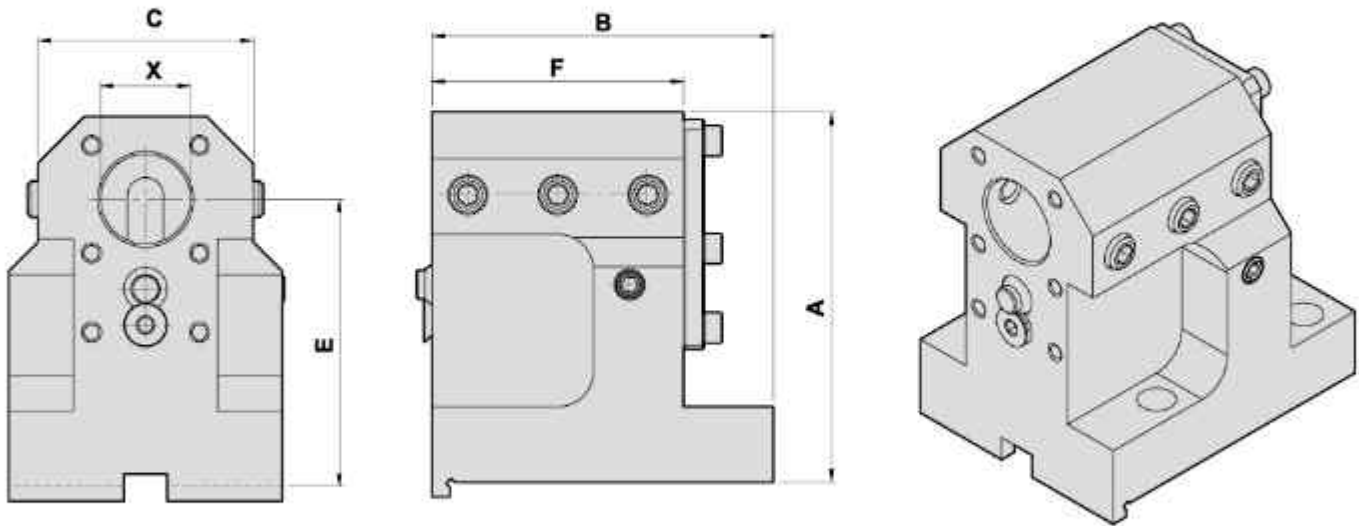
● External coolant supply 外部出水

Models	X	A	B	C	E	F	Code No.	Order No.	(Kg) Weight
XY-120	25	103	95	60	80	70	306062-000	TA-XY120-B25	3.3

## BORING BAR HOLDER

TYPE TAKAMAZ

### 內孔刀座



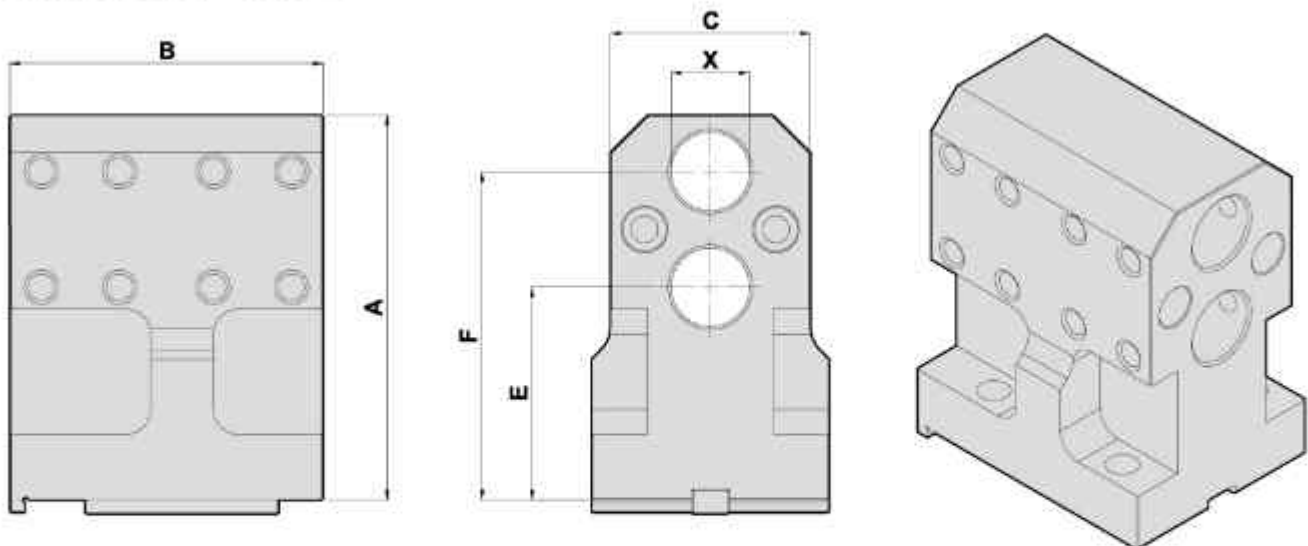
#### DIMENSIONS

● Internal coolant supply 中心出水

Models	X	A	B	C	E	F	Code No.	Order No.	(Kg) Weight
XY-120	25	103	95	60	80	70	306064-000	CW-TA-XY120-B25-80	3.3
XY-120	32	103	95	60	80	70	307064-000	CW-TA-XY120-B32-80	3.2

## DOUBLE BORING BAR HOLDER

### 雙內孔雙向式刀座



#### DIMENSIONS

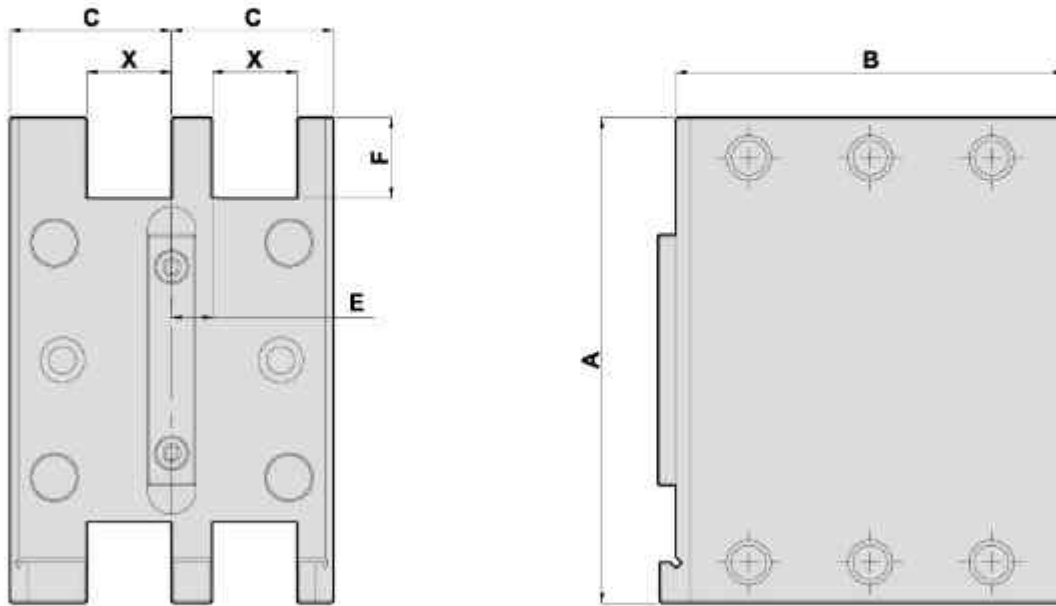
● External coolant supply 外部出水

Models	X	A	B	C	E	F	Code No.	Order No.	(Kg) Weight
XY-120	25	123	100	64	68	105	306065-000	TA-XY120-B25x2	4.9

## DOUBLE SIDE TWIN TURNING HOLDER

TYPE TAKAMAZ

### 雙側四外徑刀座

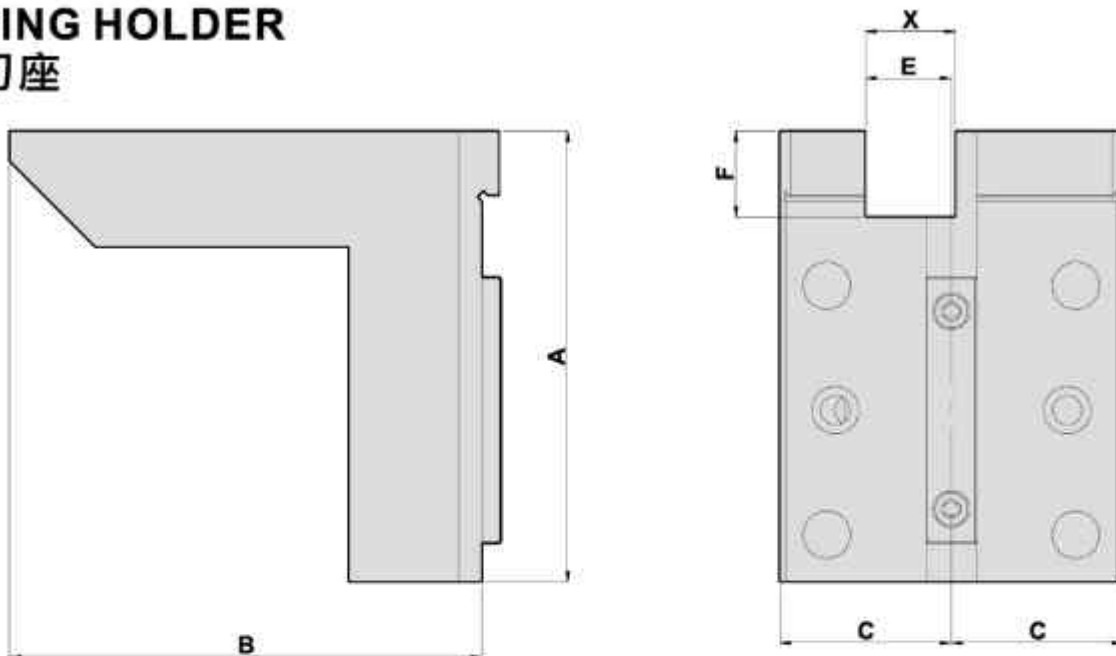


#### DIMENSIONS

● External coolant supply 外部出水

Models	X	A	B	C	E	F	Code No.	Order No.	(Kg) Weight
XY-120	21	120	96	40	10	20	405061-000	TA-XY-120-20x4	5.5

### CUTTING HOLDER 切斷刀座



#### DIMENSIONS

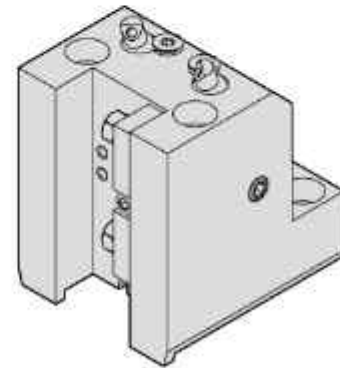
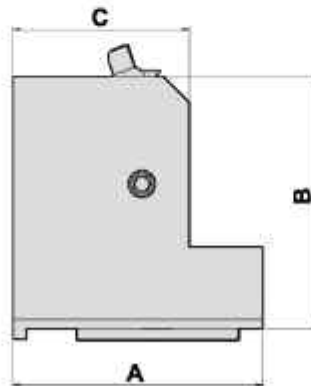
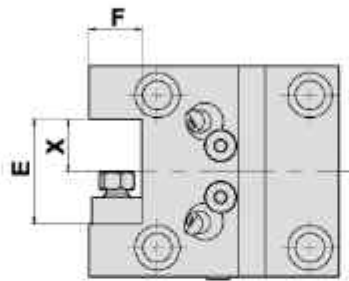
● External coolant supply 外部出水

Models	X	A	B	C	E	F	Code No.	Order No.	(Kg) Weight
XY-120	21	105	110	40	20	20	705061-000	TA-XY120-R20	2.6

## DOUBLE SIDE TURNING HOLDER

TYPE TAKAMAZ

### 雙側外徑刀座

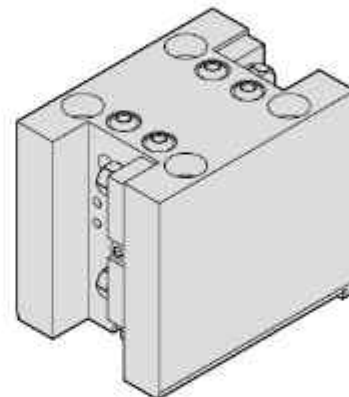
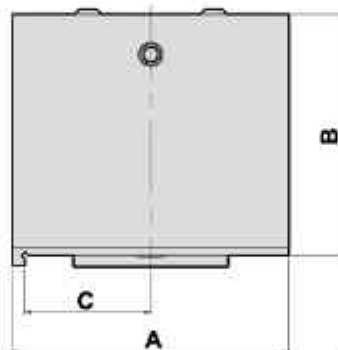
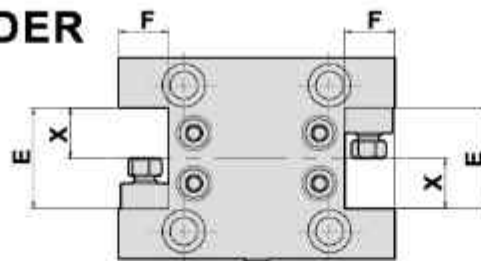


#### DIMENSIONS

● External coolant supply 外部出水

Models	X	A	B	C	E	F	Code No.	Order No.	(Kg) Weight
XY-120	20	95	96	67	40	20	405062-000	TA-XY-120-C20	3.8

### TURNING HOLDER 外徑刀座



#### DIMENSIONS

● External coolant supply 外部出水

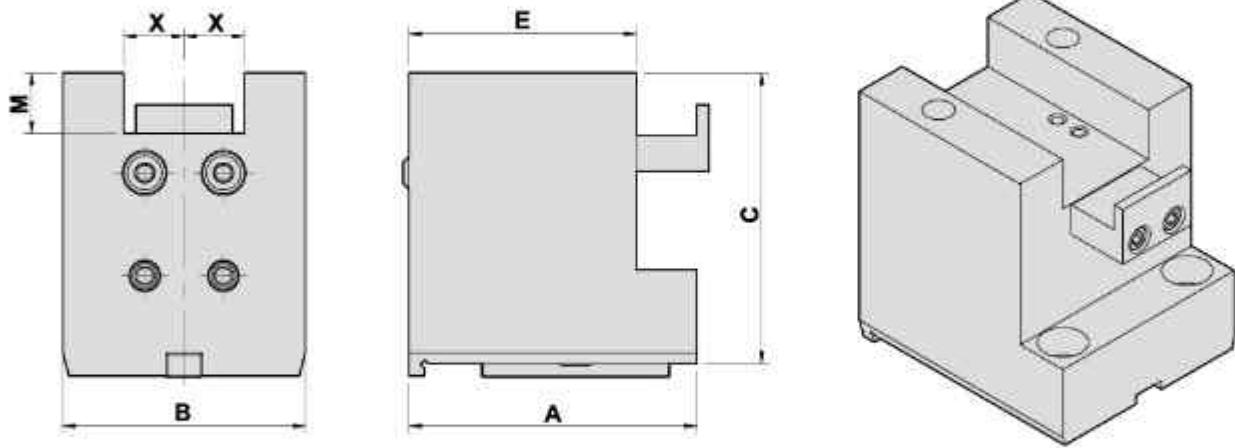
Models	X	A	B	C	E	F	Code No.	Order No.	(Kg) Weight
XY-120	20	110	96	50	40	20	405063-000	TA-XY120-C20x2	5.2



## FACING HOLDER

TYPE TAKAMAZ

### 端面刀座



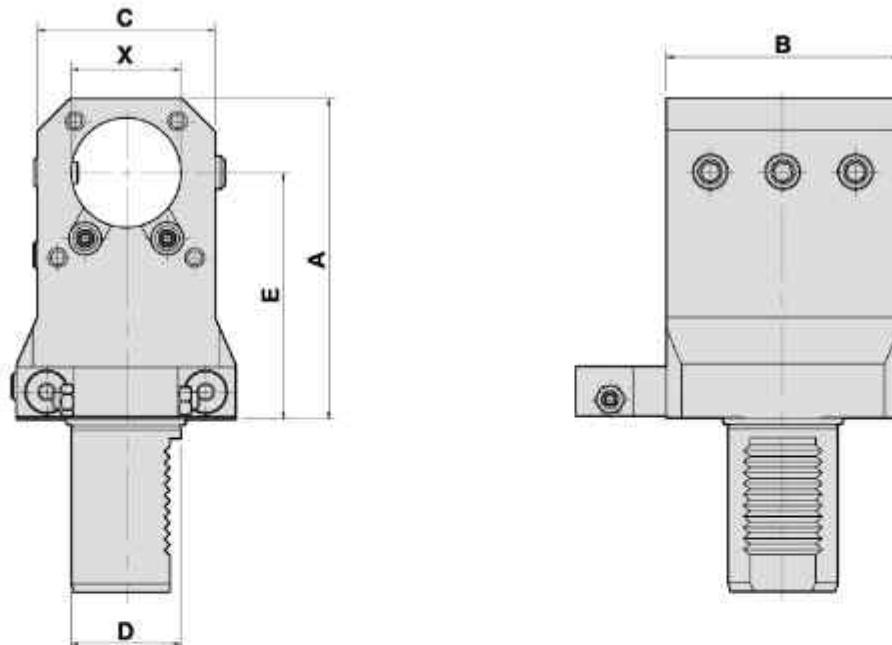
#### DIMENSIONS

● External coolant supply 外部出水

Models	X	A	B	C	E	M	Code No.	Order No.	(Kg) Weight
XY-120	20	95	80	96	75	20	505061-000	TA-XY-120-F20	4.5

## BORING BAR HOLDER

### 内孔刀座



#### DIMENSIONS

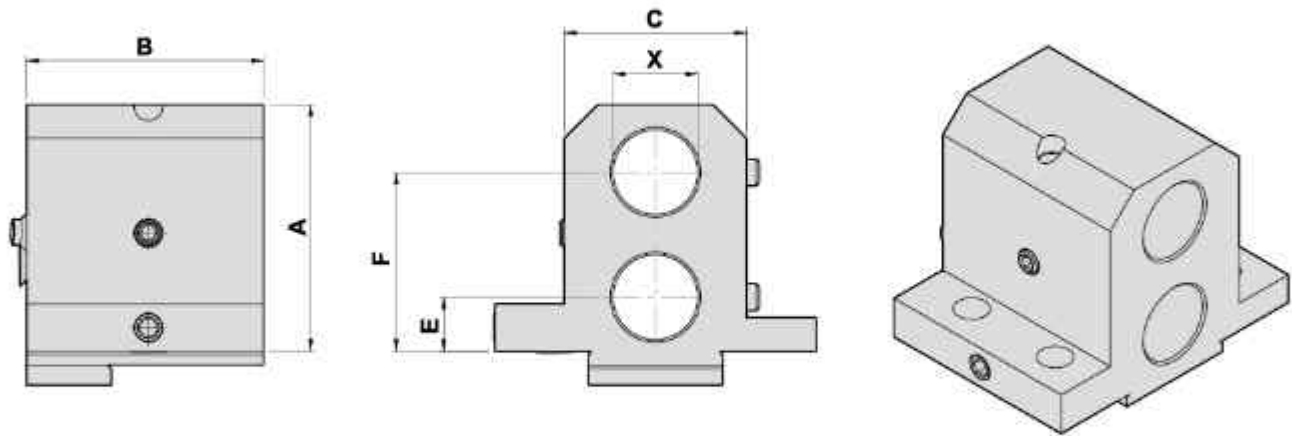
● External coolant supply 外部出水

Models	D	X	A	B	C	E	Code No.	Order No.	(Kg) Weight
XY-2000	40	40	117	85	65	90	308538-000	TZ-T1-40-B40-90-P63	5
XY-2000	40	40	127	85	65	100	308522-000	TZ-T1-40-B40-100-P63	5.4

**DOUBLE BORING BAR HOLDER**

TYPE TAKAMAZ

雙內孔刀座



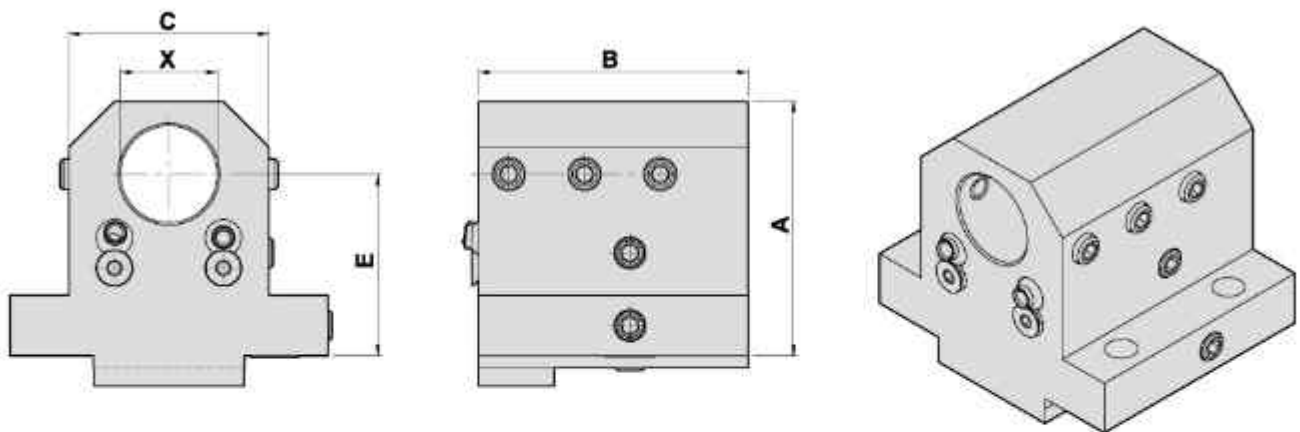
**DIMENSIONS**

• External coolant supply 外部出水

Models	X	A	B	C	E	F	Code No.	Order No.	(Kg) Weight
X-10	25	73	70	52	16	53	306063-000	TA-X10-B25x2	2
X-15	25	84	89	64	30	65	306067-000	TA-X15-B25x2	3.7
XL-100	20	65	65	54	22	50	305061-000	TA-XL-100-B20x2-50	1.5

**BORING BAR HOLDER**

內孔刀座



**DIMENSIONS**

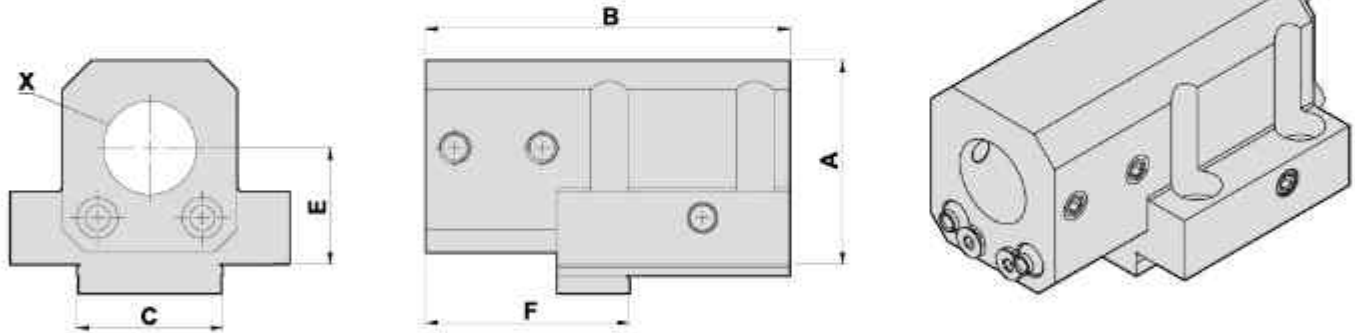
• External coolant supply 外部出水

Models	X	A	B	C	E	Code No.	Order No.	(Kg) Weight
X-15	32	84	89	66	60	307061-000	TA-X15-B32-60	3.8
X-10	25	66	65	52	40	306069-000	TA-X10-B25-40	2
XL-150	40	75	94	66	40	308061-000	TA-XL150-B40-40	4.3

## BORING BAR HOLDER

TYPE TAKAMAZ

### 內孔刀座



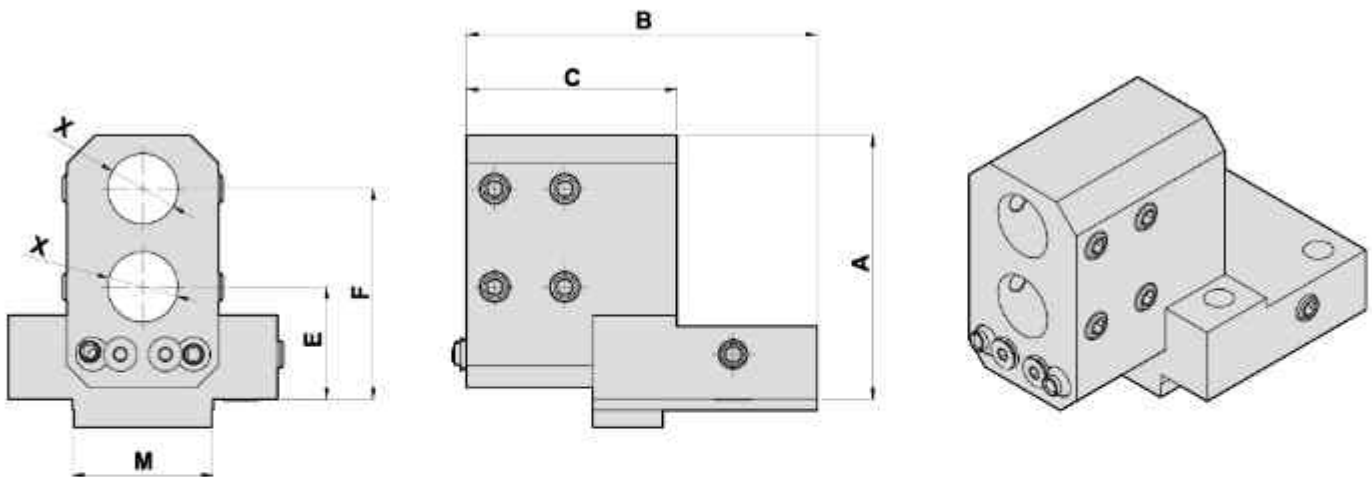
#### DIMENSIONS

• Internal, External coolant supply 內外部出水

Models	X	A	B	C	E	F	Code No.	Order No.	(Kg) Weight
XY-180	32	70	125	50	40	70	307062-000	TA-XY180-B32-40	3.6

## DOUBLE BORING BAR HOLDER

### 雙內孔刀座



#### DIMENSIONS

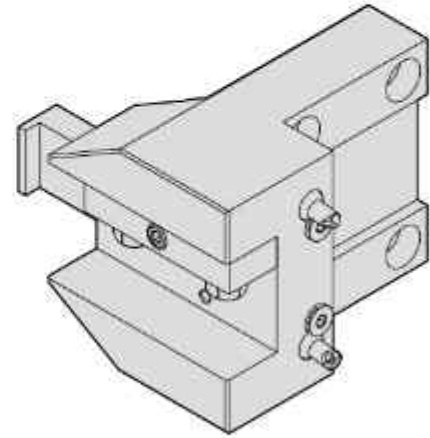
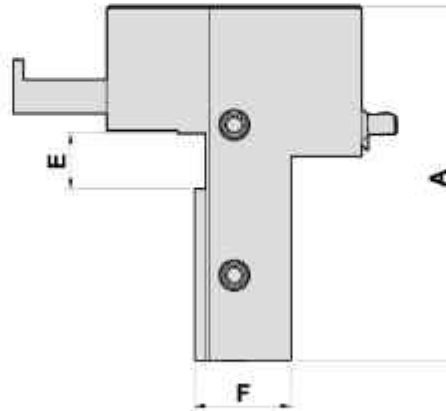
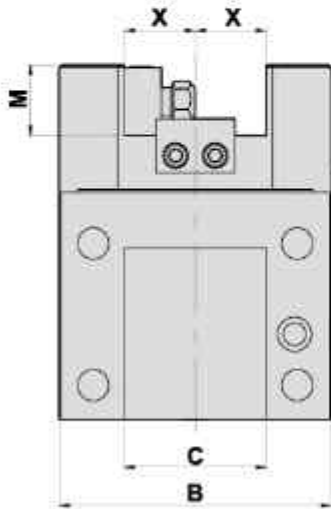
• External coolant supply 外部出水

Models	X	A	B	C	E	F	M	Code No.	Order No.	(Kg) Weight
XY-180	25	94	125	75	40	75	50	306066-000	TA-XY180-B25x2-75	3.8

## TURNING HOLDER

TYPE TAKAMAZ

### 外徑刀座



#### DIMENSIONS

● External coolant supply 外部出水

Models	X	A	B	C	E	F	M	Code No.	Order No.	(Kg) Weight
XY-180	25	125	96	50	19.5	34	25	406061-000	TA-XY180-C25-55	4